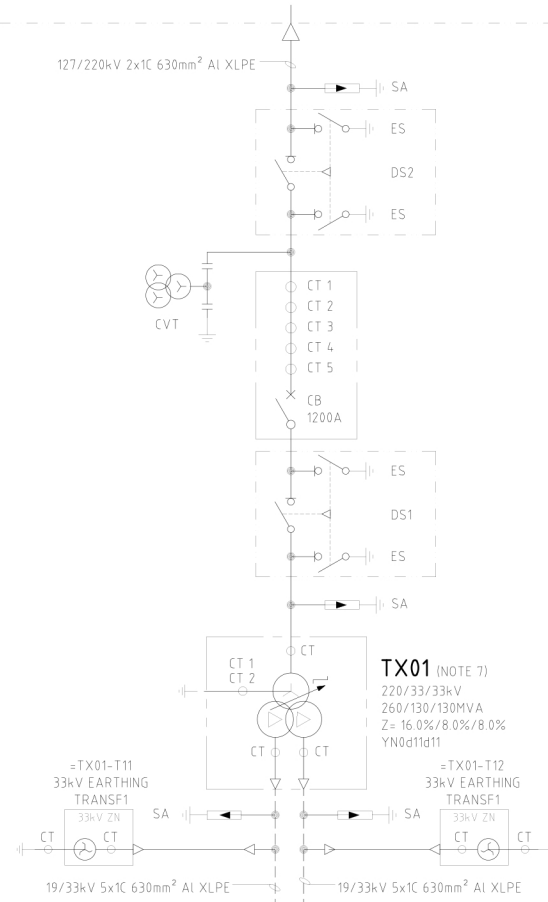
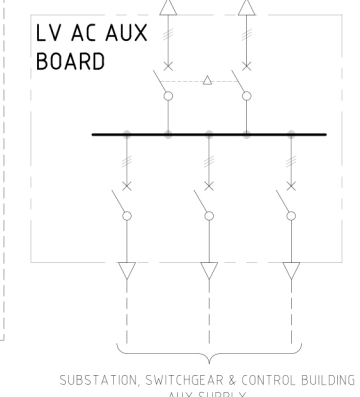


SWITCHYARD



AUX TX-01
33/0.4kV
Dyn11
6MVA
(TYPICAL)

DIESEL GENERATOR
500kVA



SUBSTATION, SWITCHGEAR & CONTROL BUILDING AUX SUPPLY

NOTES:

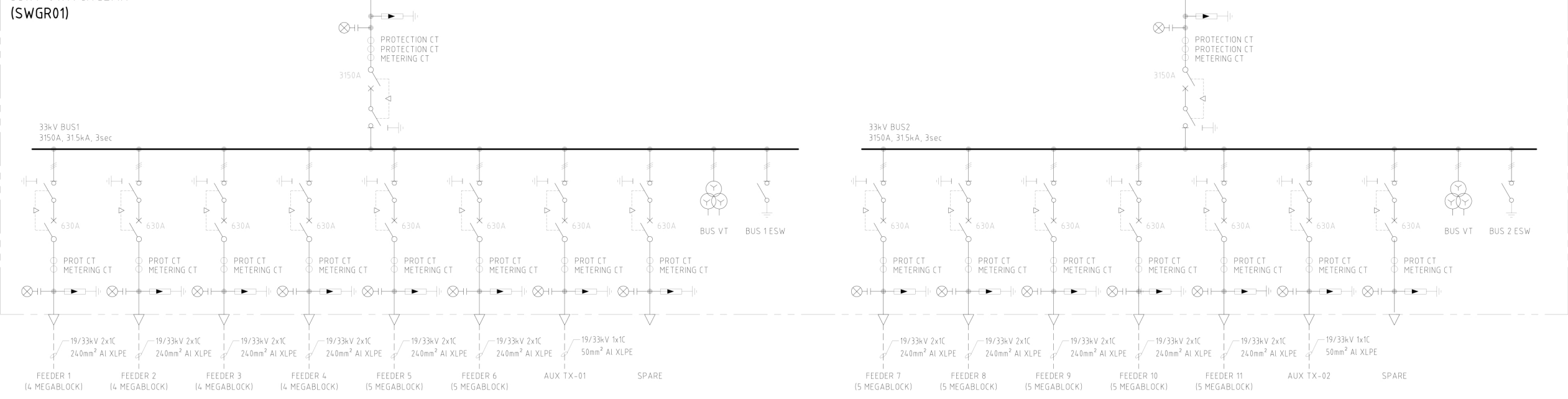
1. THIS DRAWING IS TO BE PRINTED IN COLOURED FOR CLARITY.

LEGEND:

- INTERNAL WIRING
- EXTERNAL / FIELD WIRING
- BUSBAR
- ENCLOSURE
- COMMON LOCATION
- INTERLOCK/CONTROL CONNECTION
- CURRENT TRANSFORMER
- WIRING, THREE (3) PHASE
- FUSE
- EARTH SWITCH
- DISCONNECTOR
- CIRCUIT BREAKER
- CABLE GLAND
- SURGE ARRESTER
- EARTH
- SIGNAL LAMP
- MOTOR
- GENERATOR
- THREE-WINDING TRANSFORMER (WITH TAP CHANGER)
- EARTHING TRANSFORMER
- CAPACITIVE VOLTAGE TRANSFORMER
- TWO-WINDING TRANSFORMER

SWITCHGEAR ROOM AND CONTROL ROOM BUILDING

33kV SWITCHGEAR (SWGR01)



HV SINGLE LINE DIAGRAM
N.T.S.

CONCEPTUAL DESIGN
NOT FOR CONSTRUCTION

REVISION PANEL					REFERENCE DOCUMENT		SCALE AT A1 SIZE DRAWING		CLIENT		DESIGNER		DESIGN COMPANY		PROJECT TITLE		
REV	DATE	DRN	CHK'D	APR'D	DOCUMENT No.	TITLE									DRAWING TITLE		
															HV SINGLE LINE DIAGRAM		
SCALE		SHEET No.		DRAWING STATUS		FOR REVIEW											
N.T.S.		1 OF 1															
EG PROJECT No.		SHT SIZE		DRAWING No.		REVISION											
		A1				B											